

DC CIRCUIT BREAKER

Used for overload and short circuit protection
of Residentia grid-connected system

Add: Xinguang Industrial Zone, Liushi, Yueqing Zhejiang China

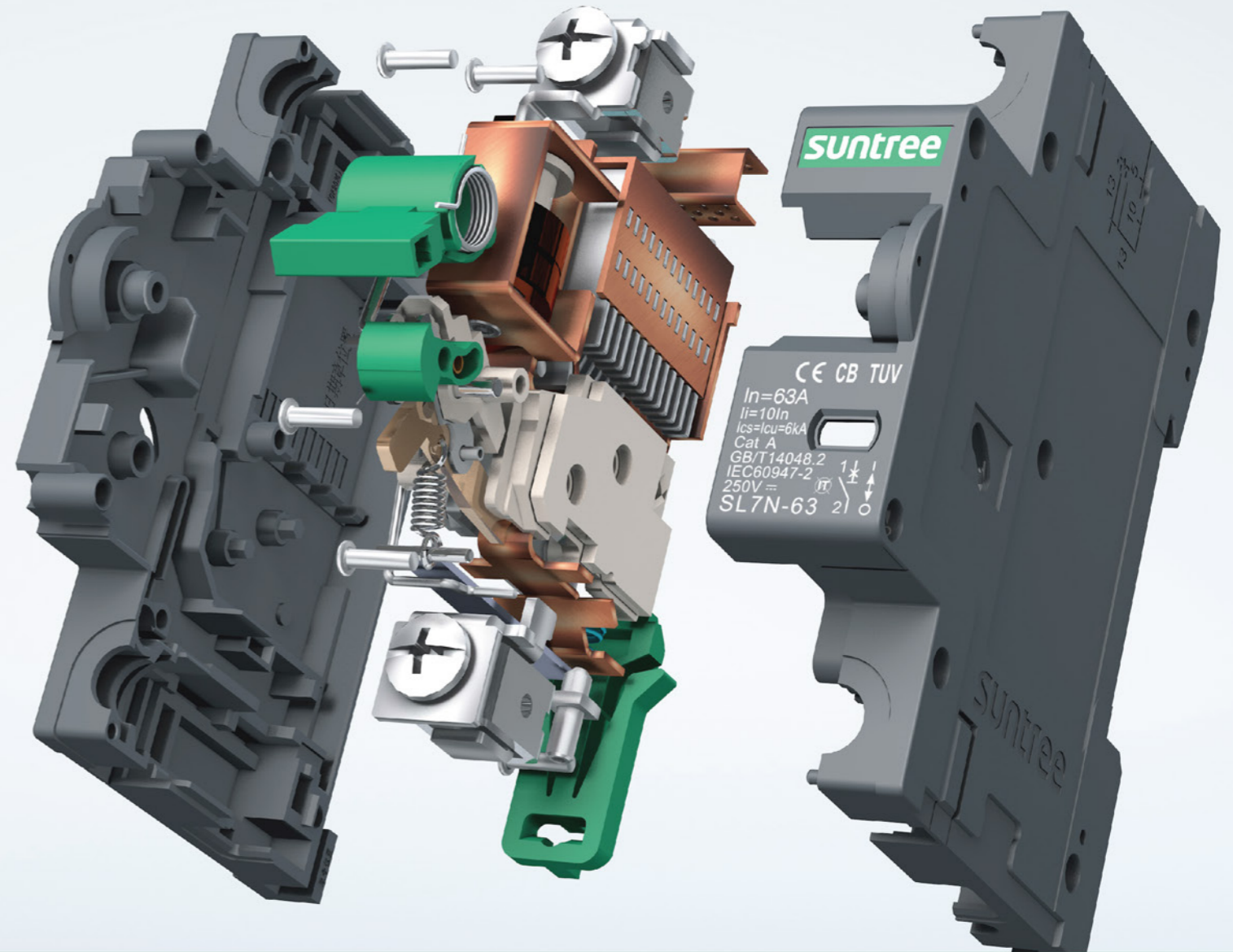
Tel: +86577 6289 0205

E-mail: tony@chinasuntree.com

www.chinasuntree.com

NEW CIRCUIT BREAKER ADVANTAGES

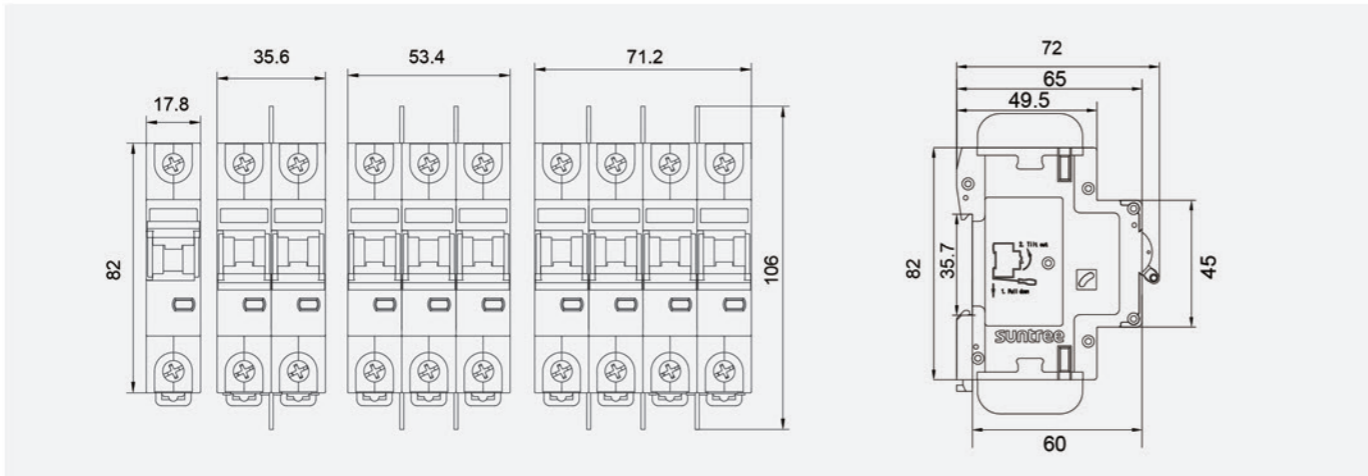
- 🔗 The contact opening distance is larger **8.5~9mm**, and the breaking capacity is more stronger
- 🔗 The number of arc extinguishing plates increased to **13 pcs**
- 🔗 Unique design, patented
- 🔗 The product itself has short-circuited the busbar, which is easier to install
- 🔗 Silver graphite contacts, better electrical conductivity



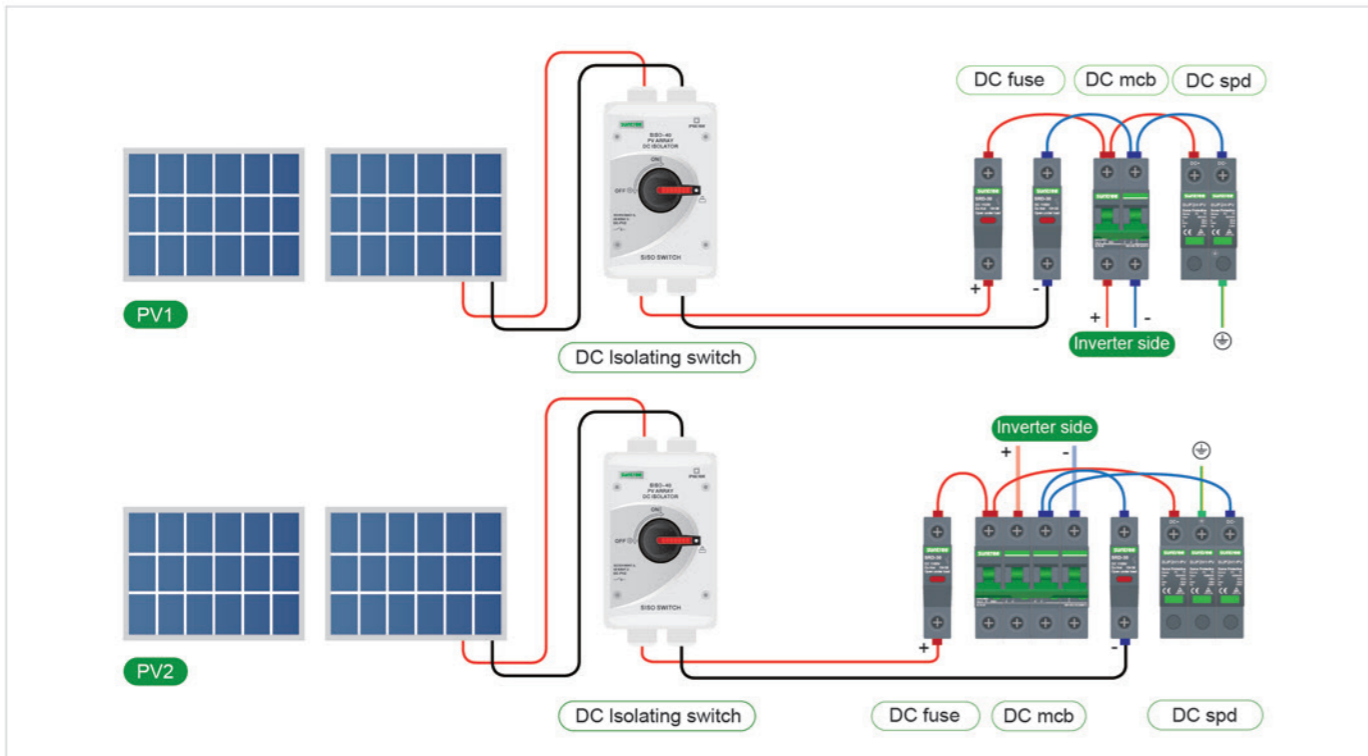
MODEL AND SIGNIFICANCE

S	S7N	63	/	1	-	10	OF
Enterprise code	Design Number	Case grade rated current		Numbers of poles 1P/2P/3P/4P		Rated working current	Auxiliary code

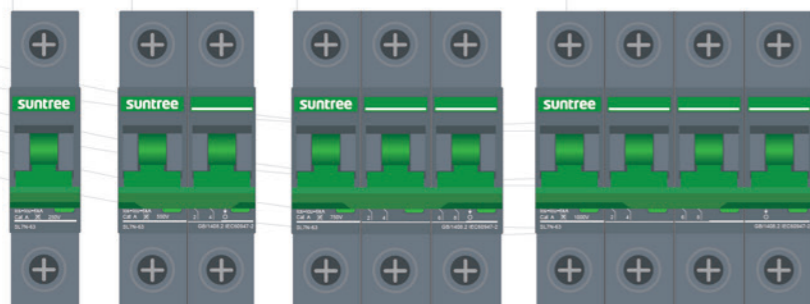
DIMENSIONS (MM)



WIRING DIAGRAM



SL7-63 1P 250V SL7-63 2P 550V SL7-63 3P 750V SL7-63 4P 1000V



ELECTRICAL TECHNICAL REFERENCE

Rated insulation voltage (Ui)	1250V
Rated service voltage (Ue)	DC(1P):15V,60V,100V,180V,250V ; DC(2P):125V,375V , 550V,600V,800V DC(3P):750V,800V ; DC(4P):800V,1000V 1200V
Rated current of current shell frame	63A
Different currents in the same current shell frame	6A, 10A, 16A, 20A, 25A, 32A, 40A, 50A, 63A
Rated service short-circuit breaking capacity Ics=Icu	Ics=Icu=6kA(2P800V/4P1200V Ics=Icu= 2KA)
Mechanical life	8500 Times
Electrical life	1500 Times (< DC125V / 1P, < DC250V/ 2P), 1000 times (other voltage specifications)
Certificate	CB CE
Rated impulse withstand voltage Uimp	6kV
Trip characteristics / trip type	B/C
Overvoltage category	III
Class of pollution	3
Ingress protection	IP40; terminal IP20
Resistance to heat and humidity	Class 2
Relative humidity	≤95%
Standards compliant	IEC 60947-2 GB/T 14048.2
Shock resistance	According to IEC60068-2-6
Mechanical shock resistance parameters	According to IEC60068-2-27
Service ambient temperature	-30°C~70°C
IEC60068-4Resistance to heat and humidity(IEC60068-4)	Class Db (temperature 55°C 6 cycles)
Storage ambient temperature	-40°C~85°C
Altitude	≤2000m
Weight accessories	0.12kg/P
Accessories	OFISD/MX/MN/MX+OF
MX control voltage Us	DC:12V,24V,220V ; AC:110V,220V,380V power supply recommended not less than 75W
MN rated voltage Un	AC220V AC380V

