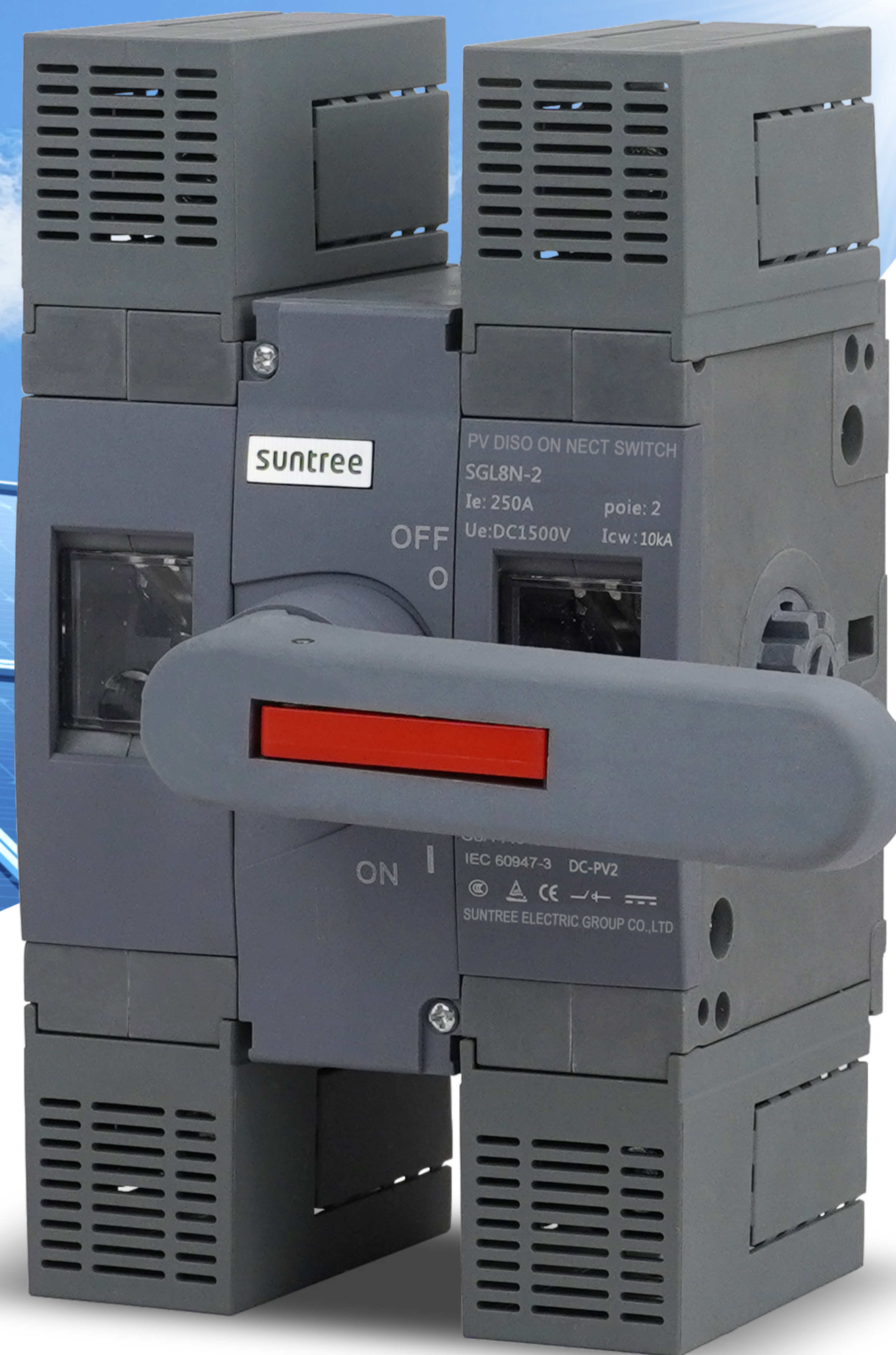


DC1500V LOAD ISOLATOR SWITCH



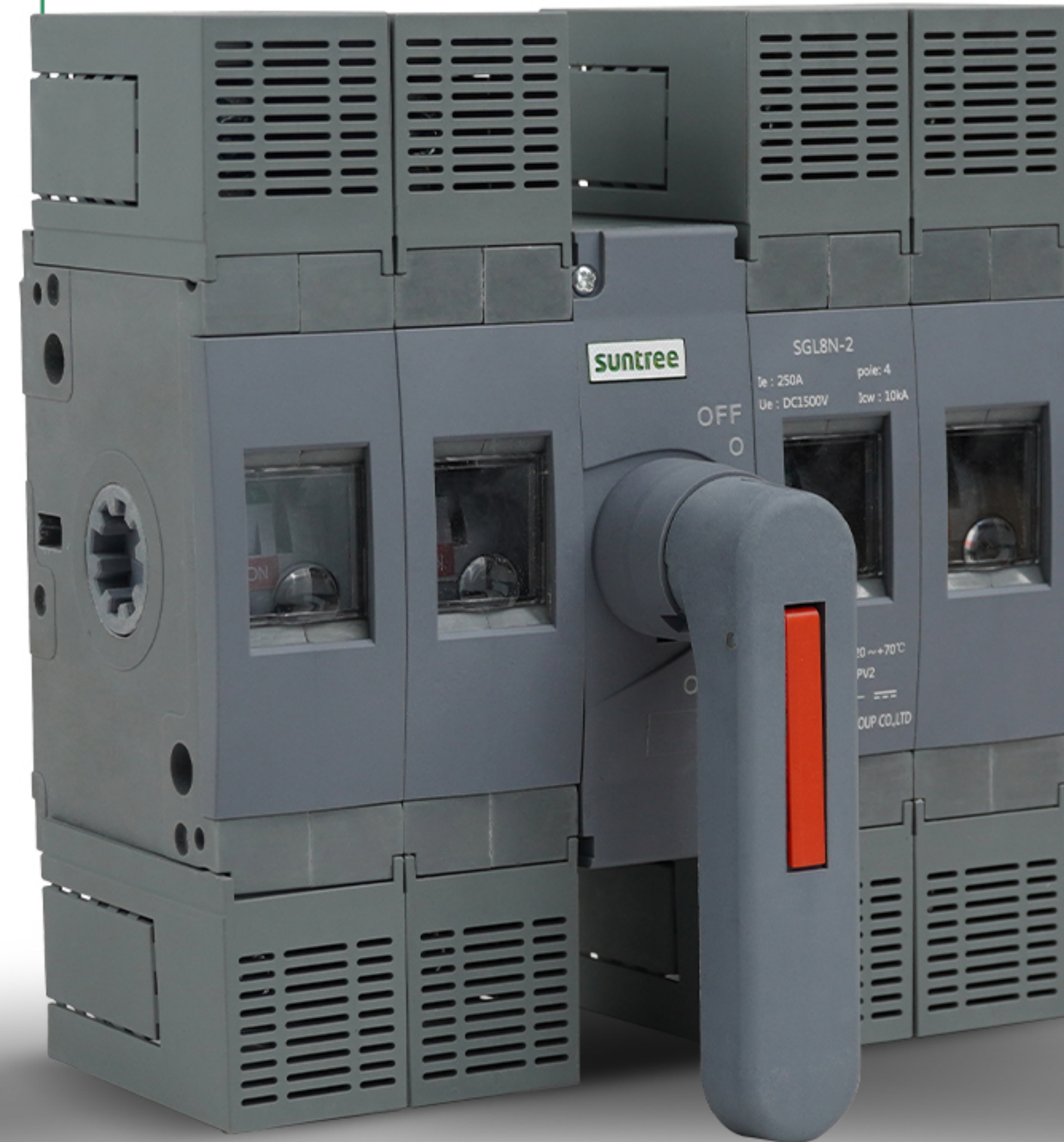
SGL8N-2
2P DC1500V



SGL8N-2
3P DC1500V



SGL8N-2
4P DC1500V



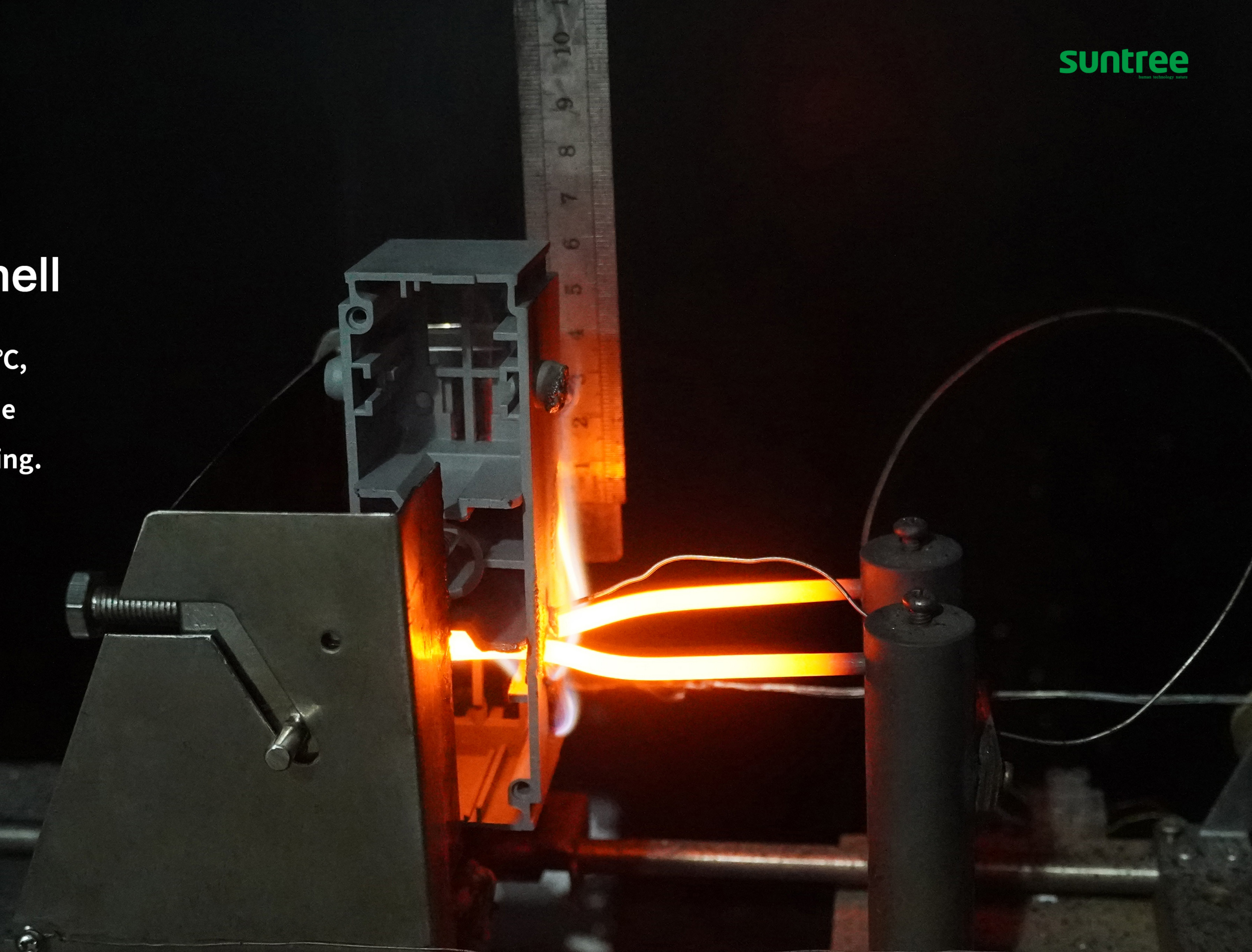
SGL8N-2
6P DC1500V

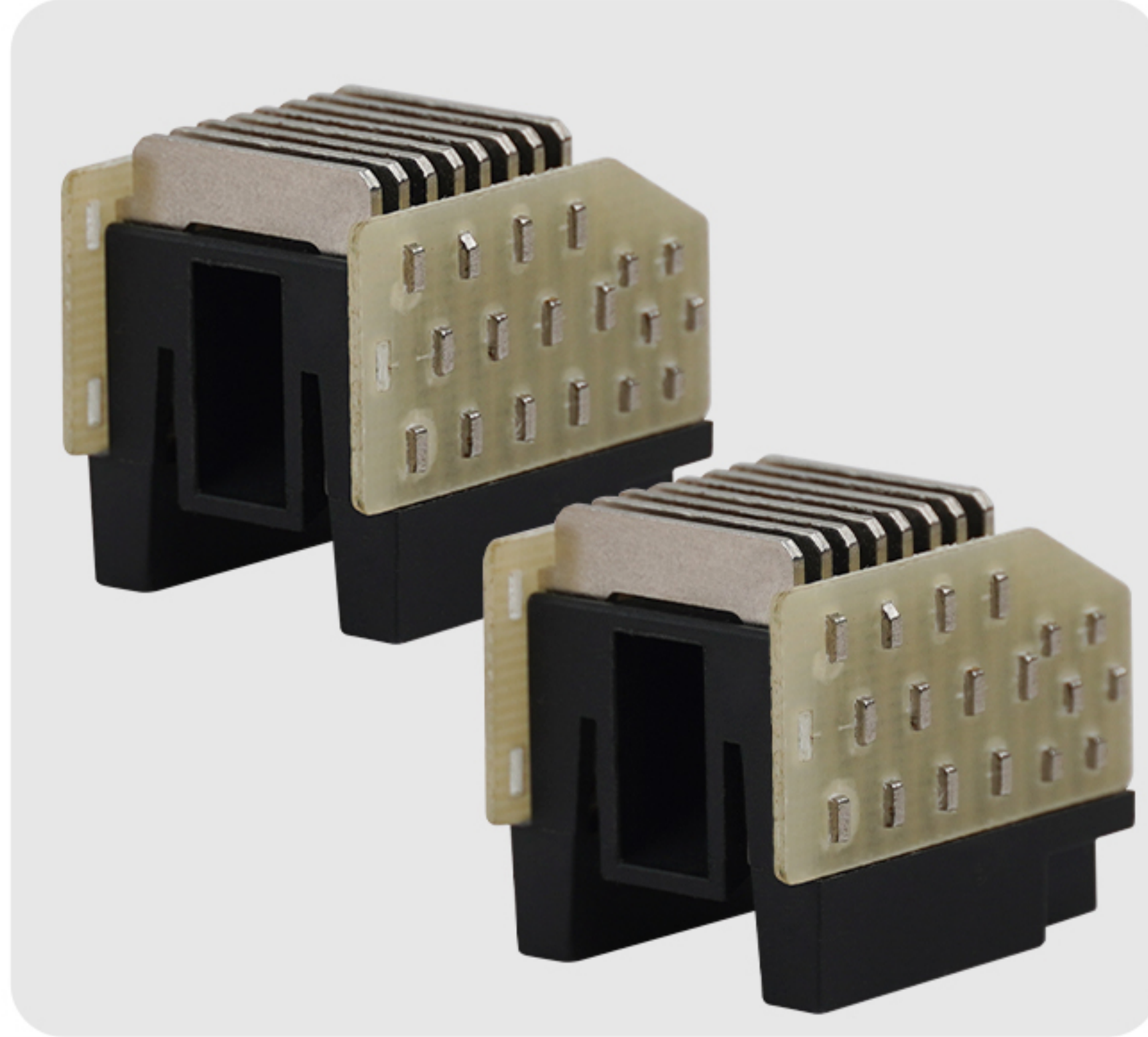




PC flame retardant shell

**Burn at a high temperature of 960°C,
Automatically extinguish the flame
within 30 seconds of stopping burning.**





Double magnetic and double arc extinguishing chamber

Power can be disconnected in a compact space



Save installation space and cost

From 4P to 2P
Wiring nuts are provided for all series



Groove structure

Increase creepage distance
Reduce the risk of current leakage

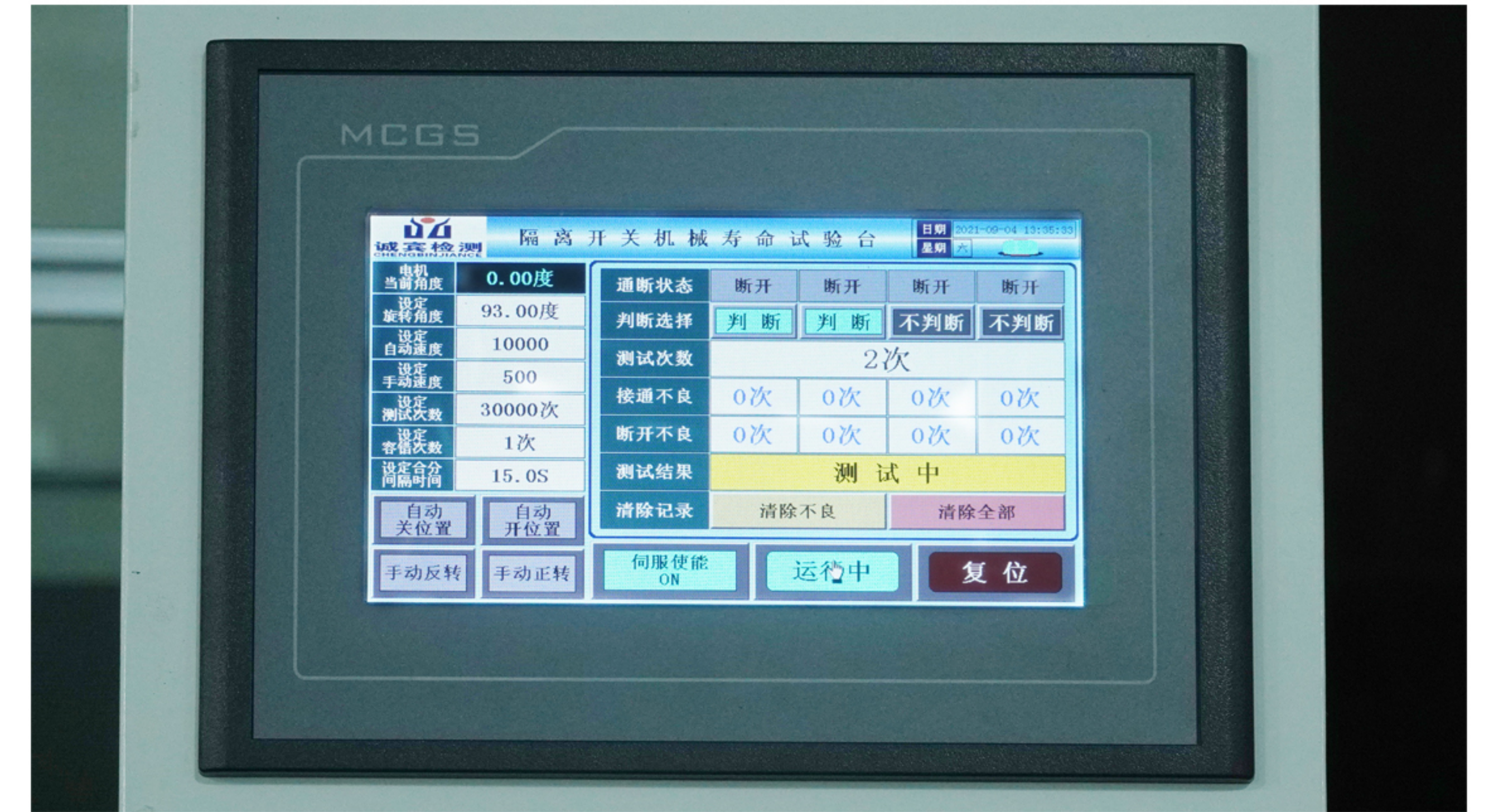
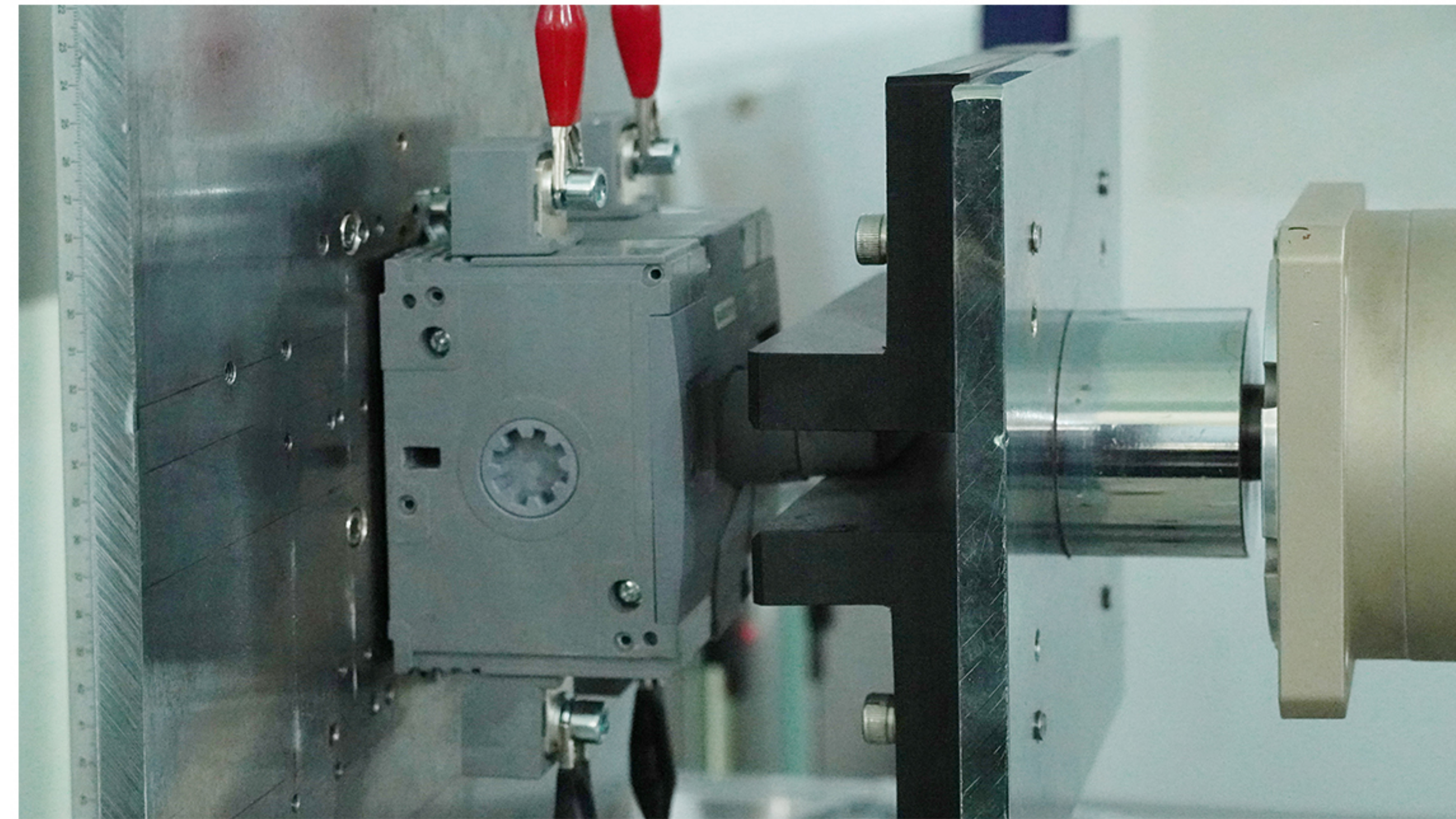
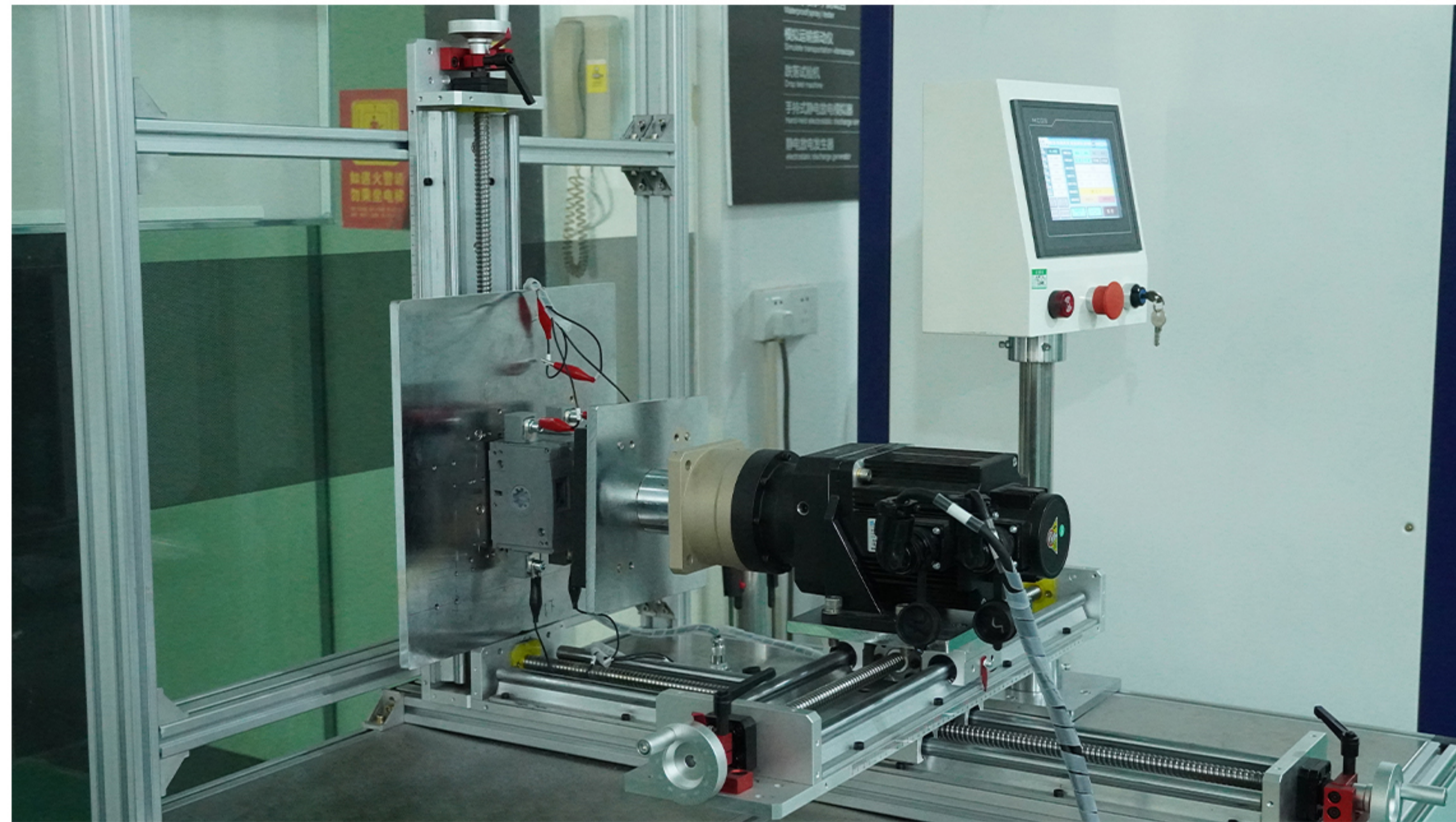


Oversized terminal block

The whole series comes standard with 4*20mm copper plated silver



The ambient temperature is required to be between -10°C and 40°C ,
Measured temperature-ambient temperature $< 65\text{K}$. Check whether the product delay is accurate.



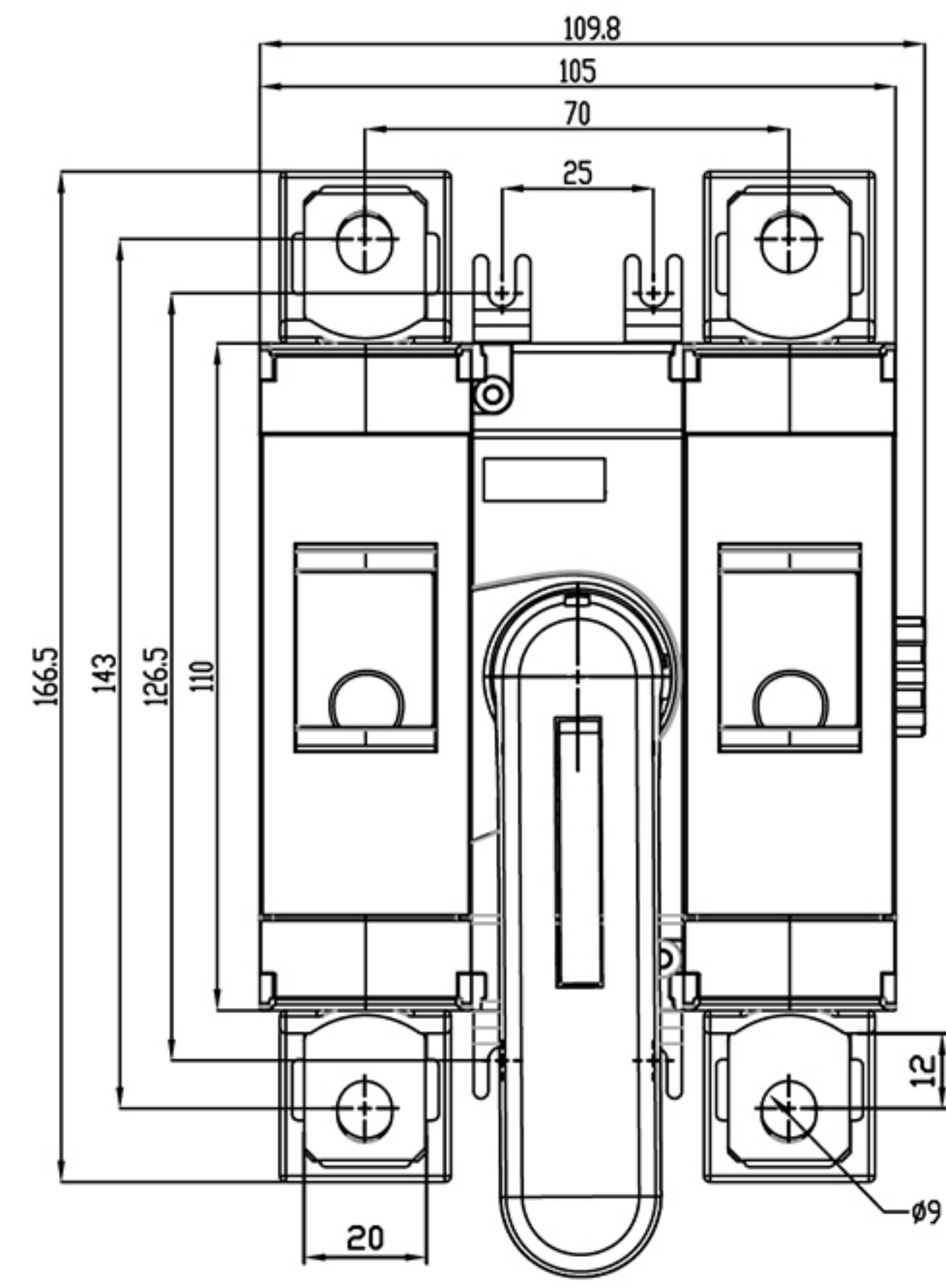
Test handle usage rate. Rotate the handle 30000 times continuously.



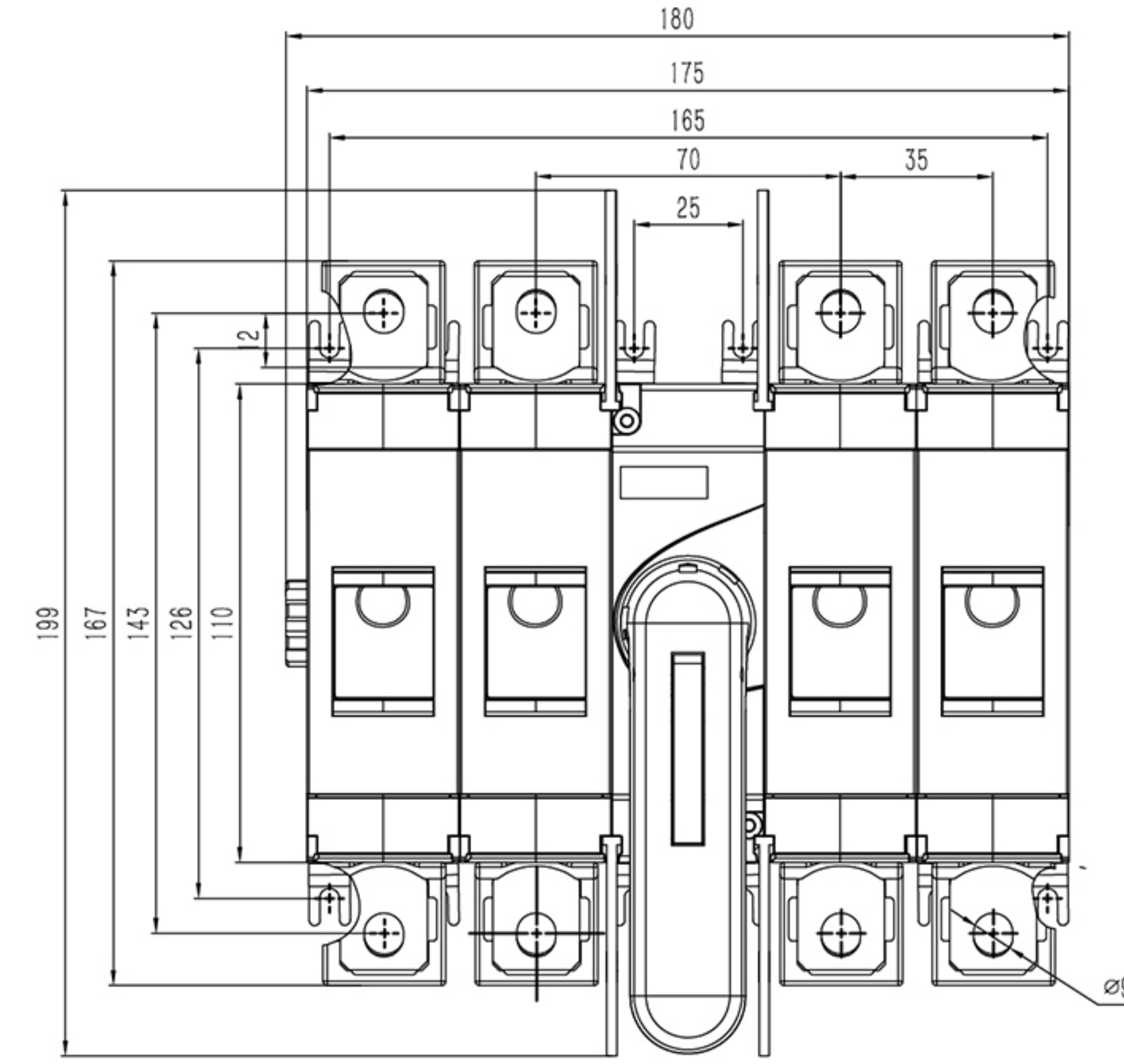
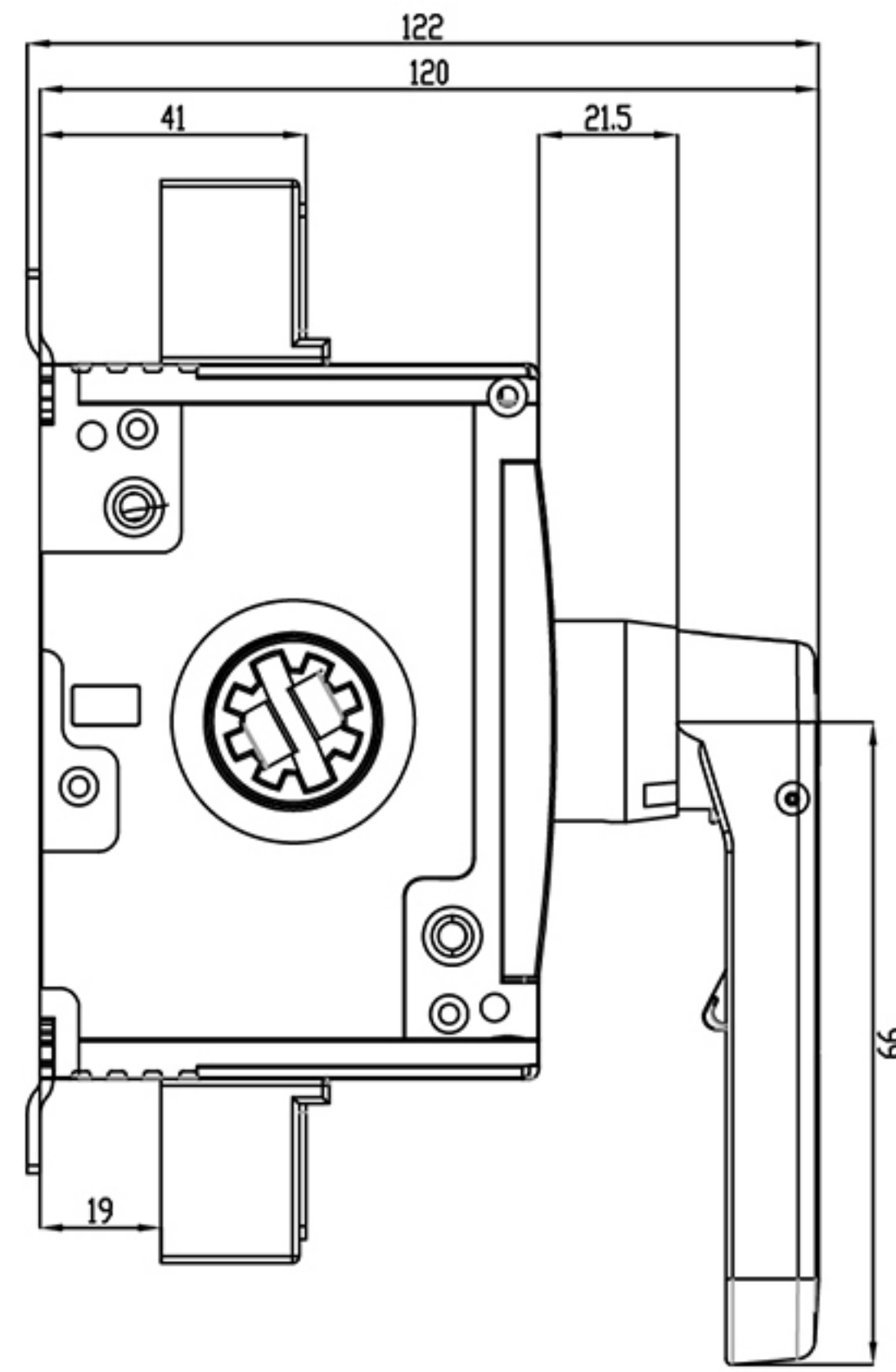
shockproof

Anti-fall

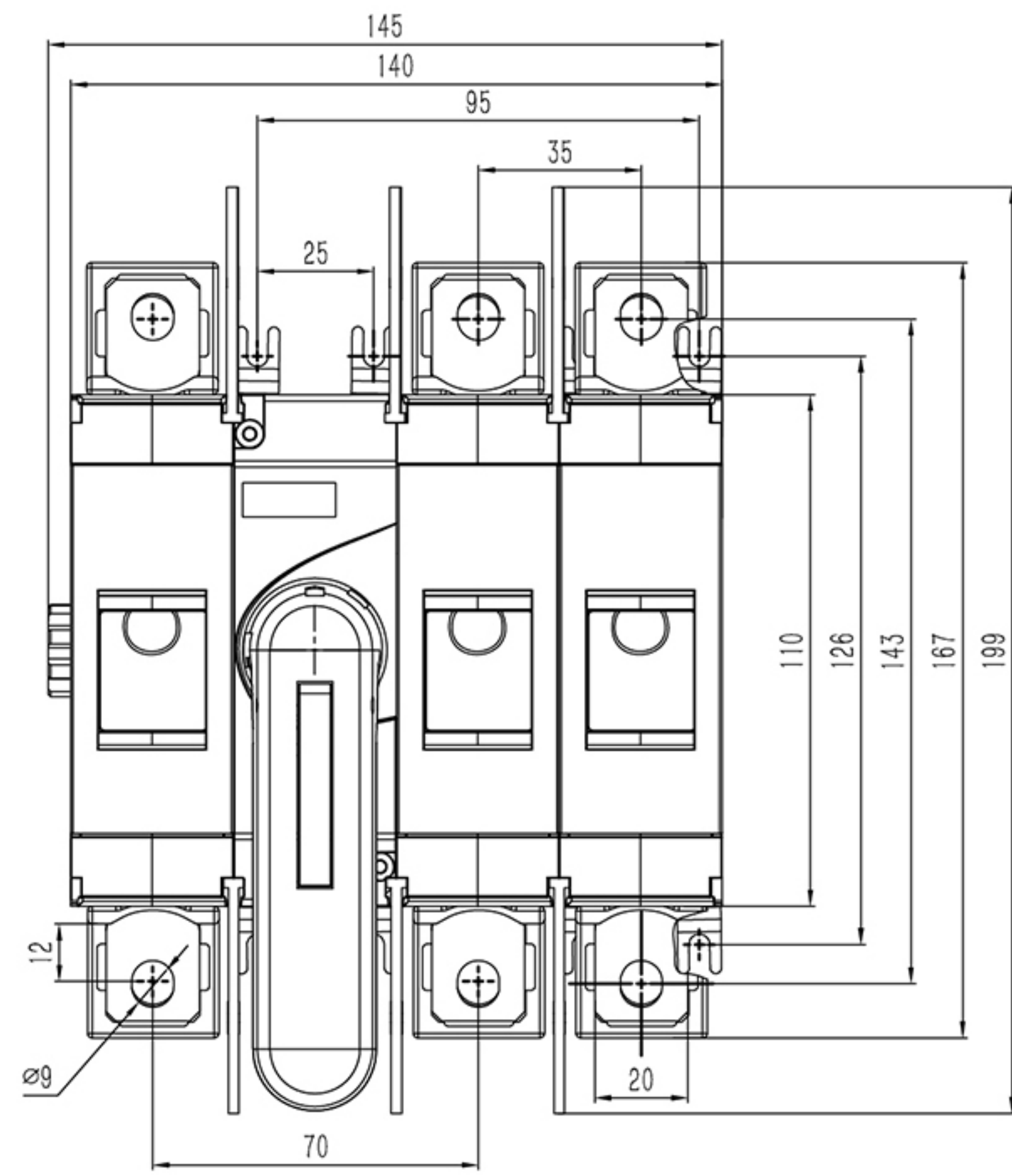
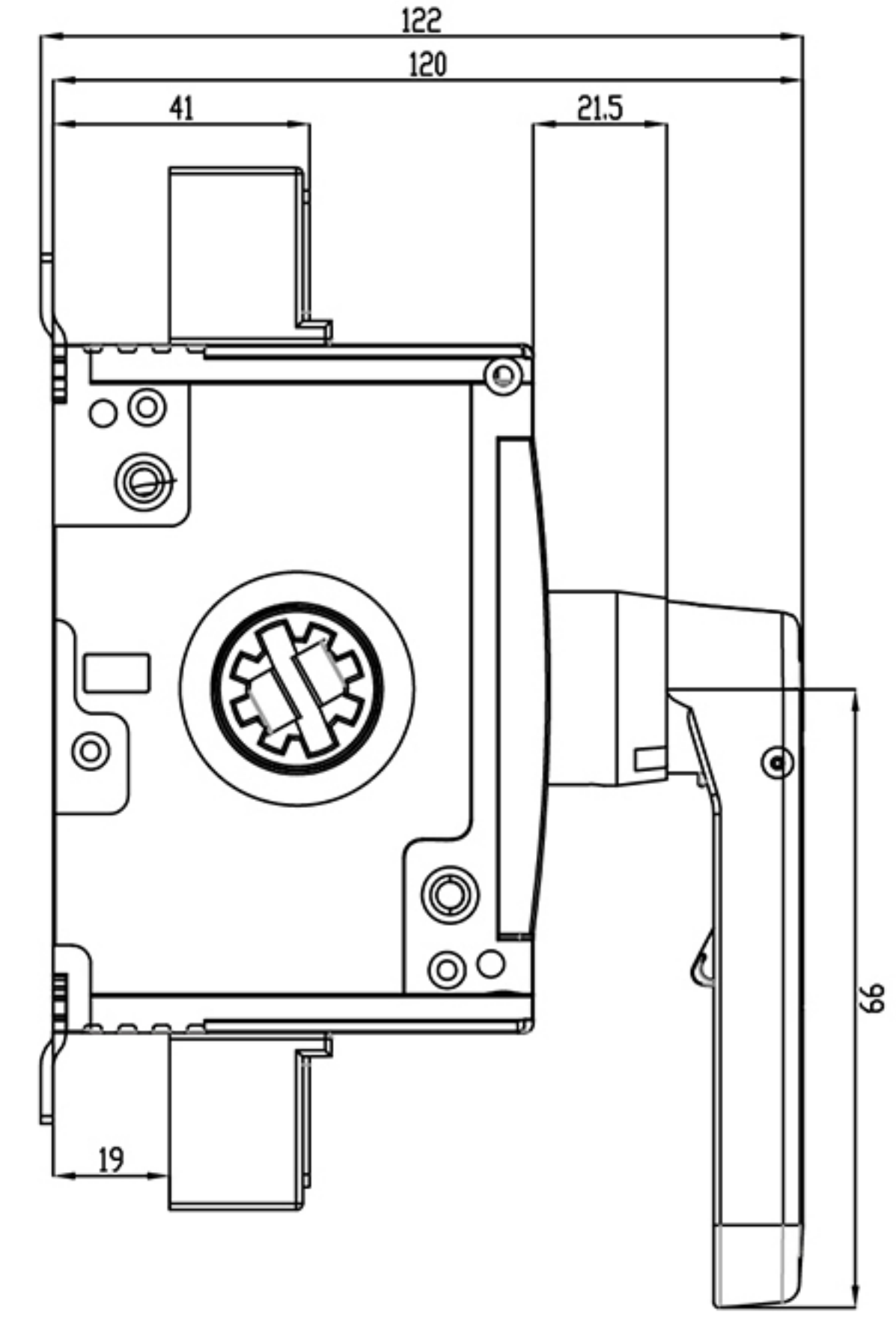
Prevent product damage in transit.



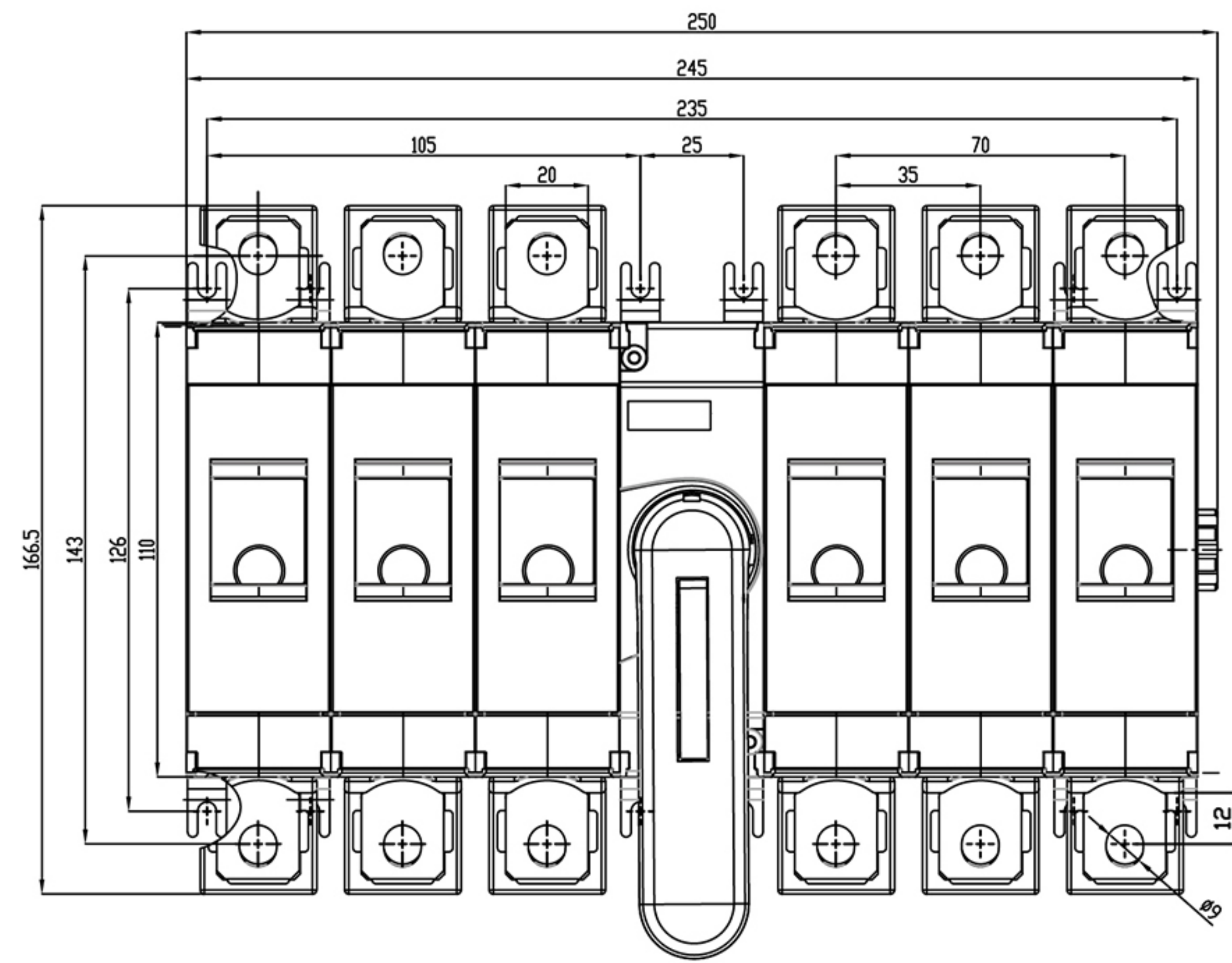
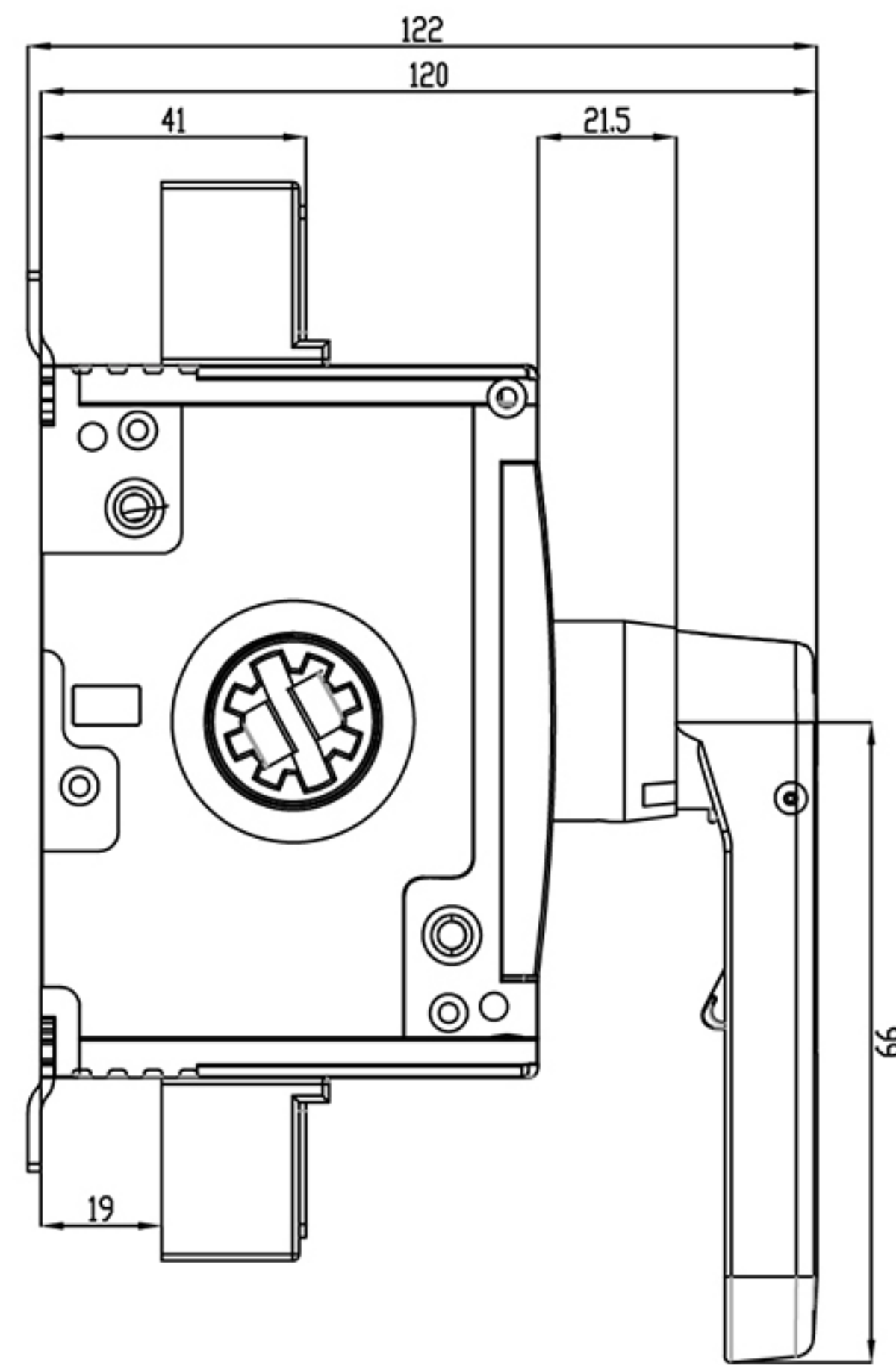
2P



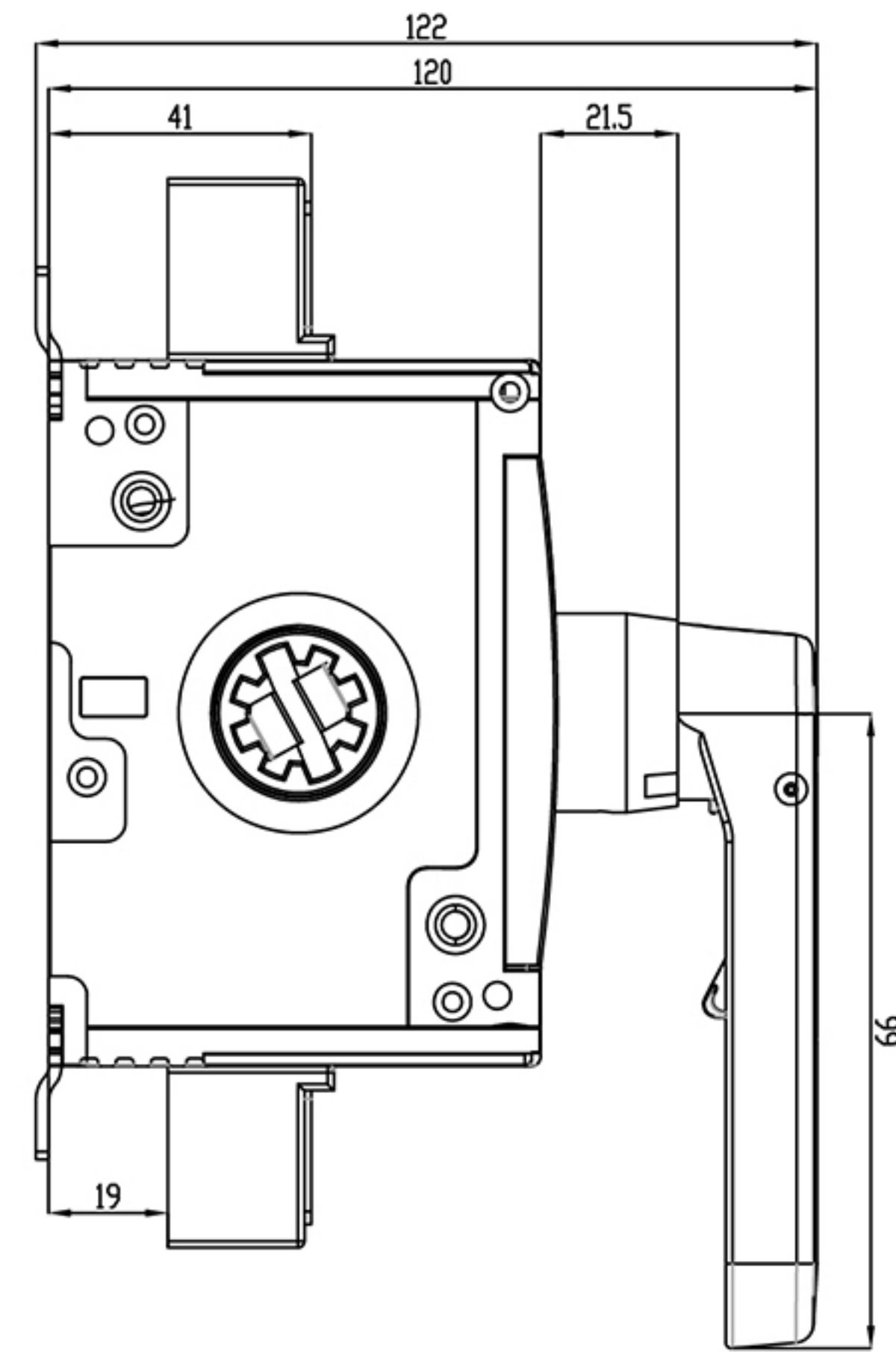
4P



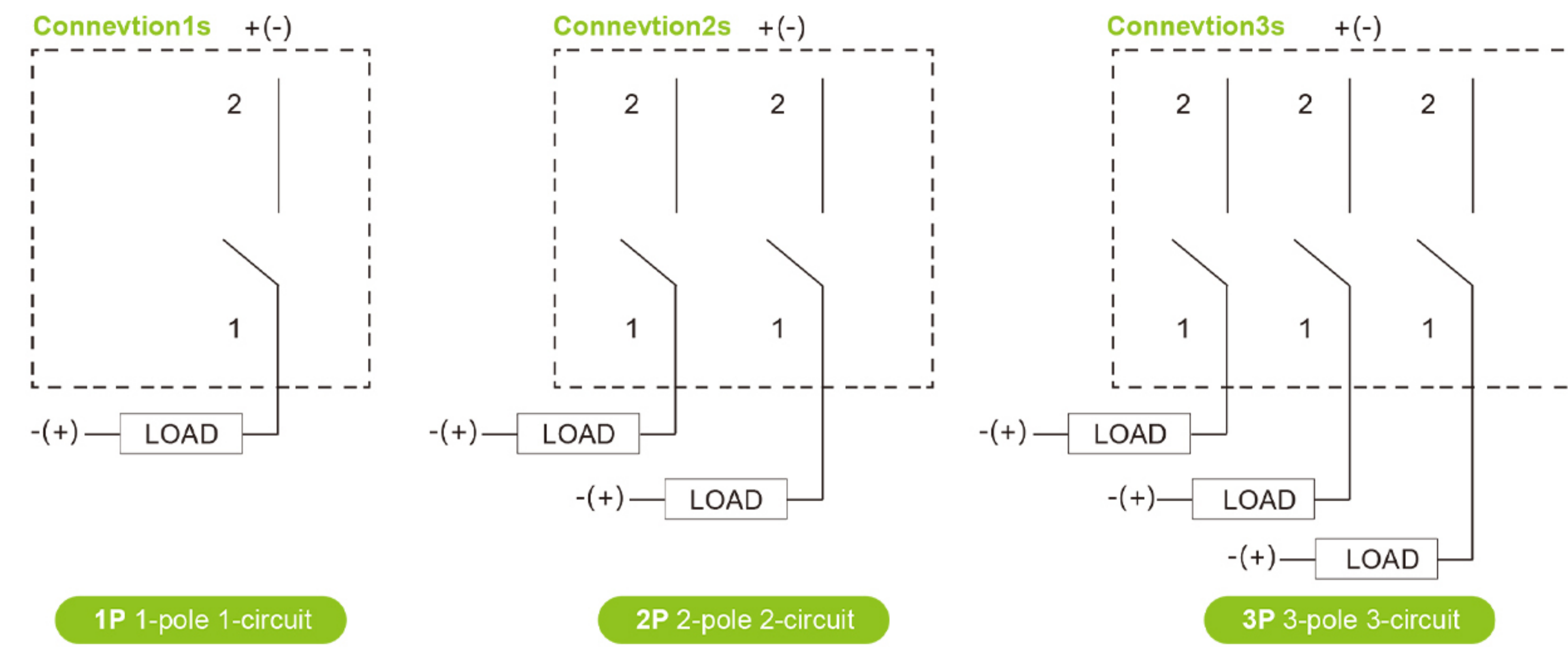
3P



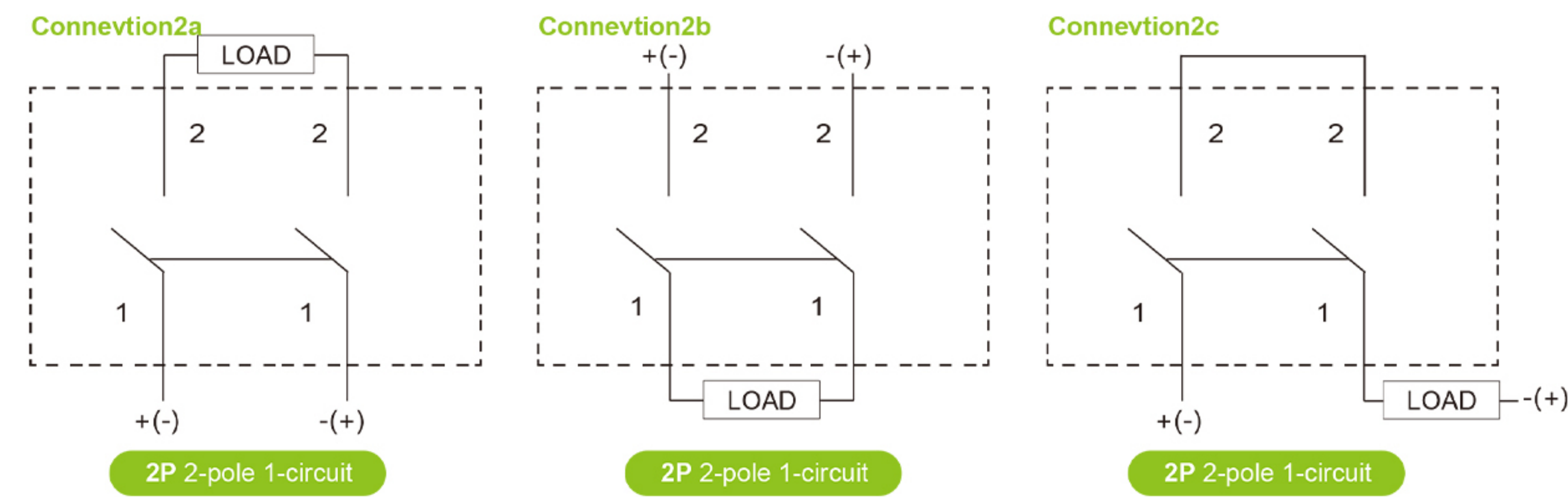
6P



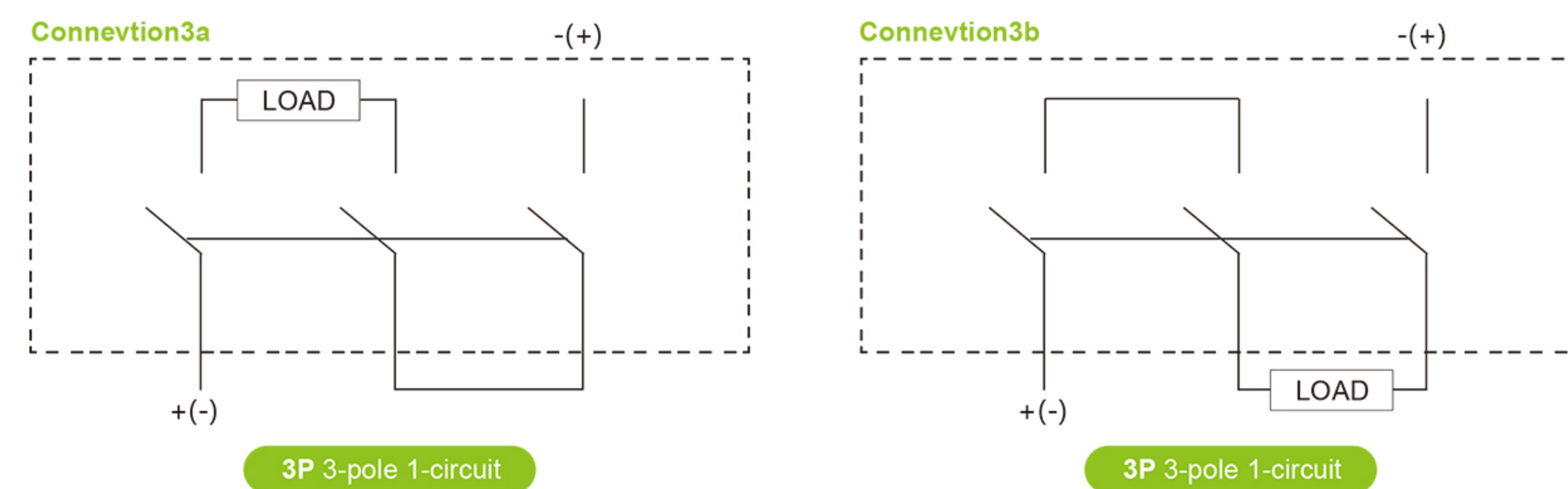
CONNECTION METHOD ONE



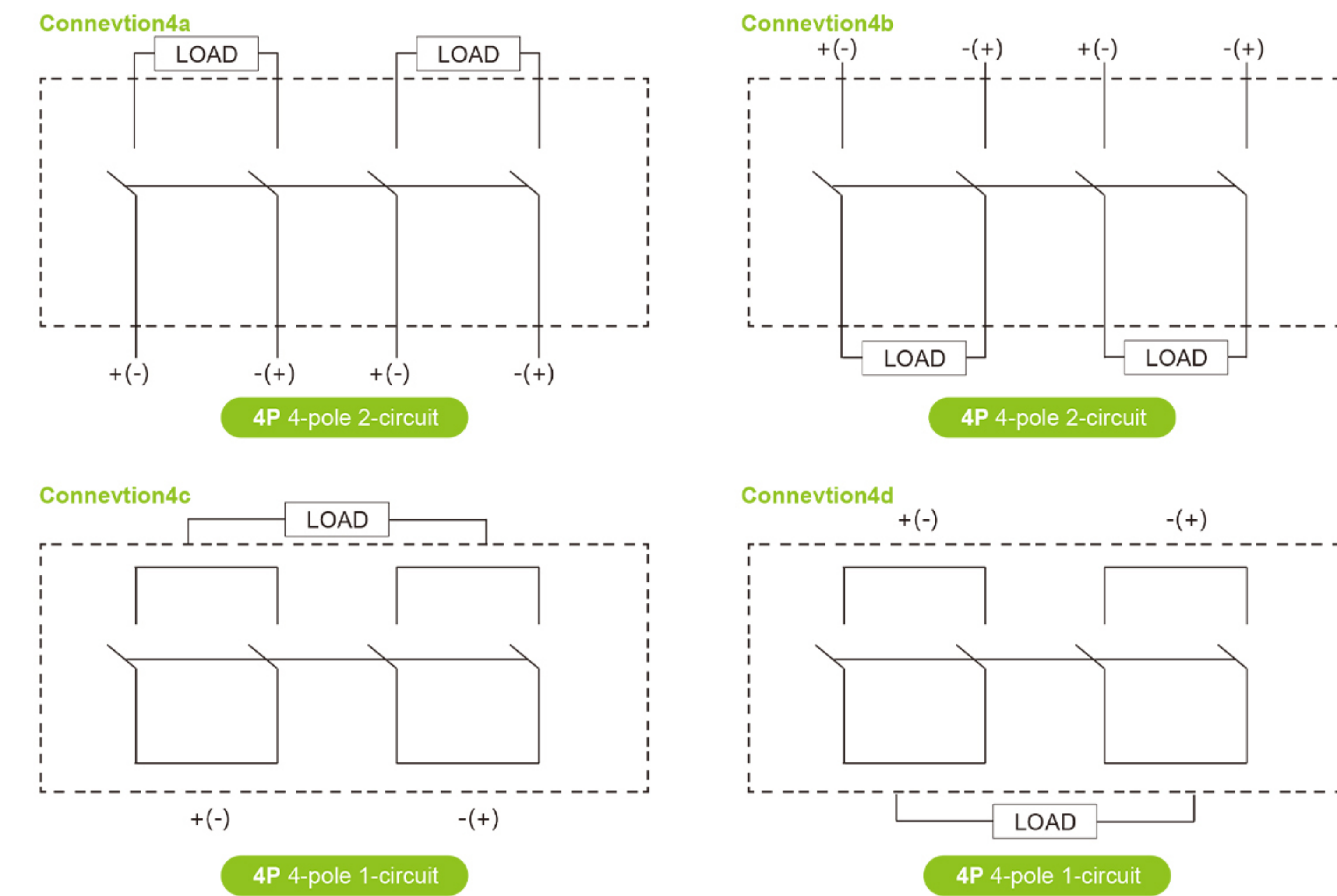
CONNECTION METHOD TWO



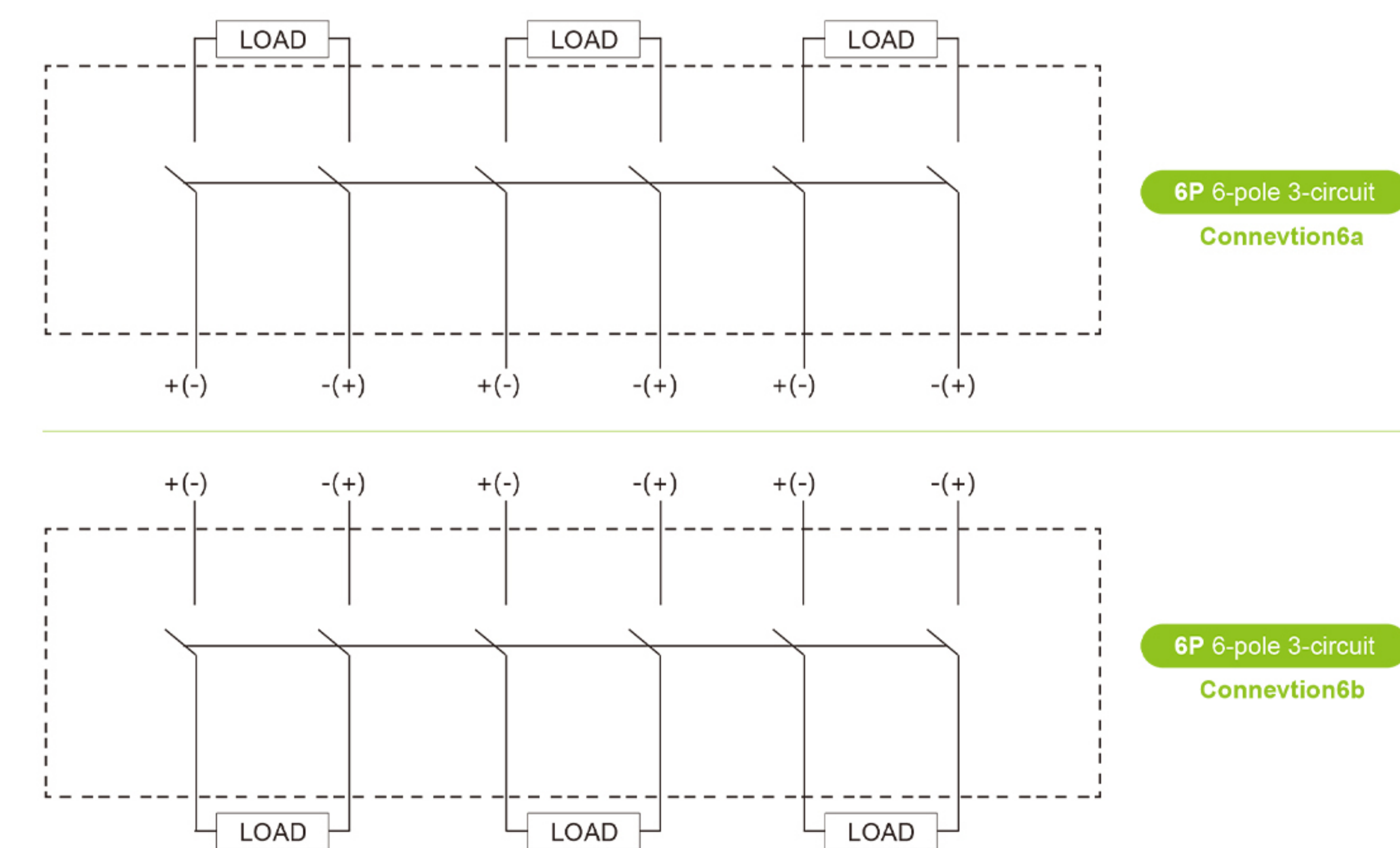
CONNECTION METHOD THREE

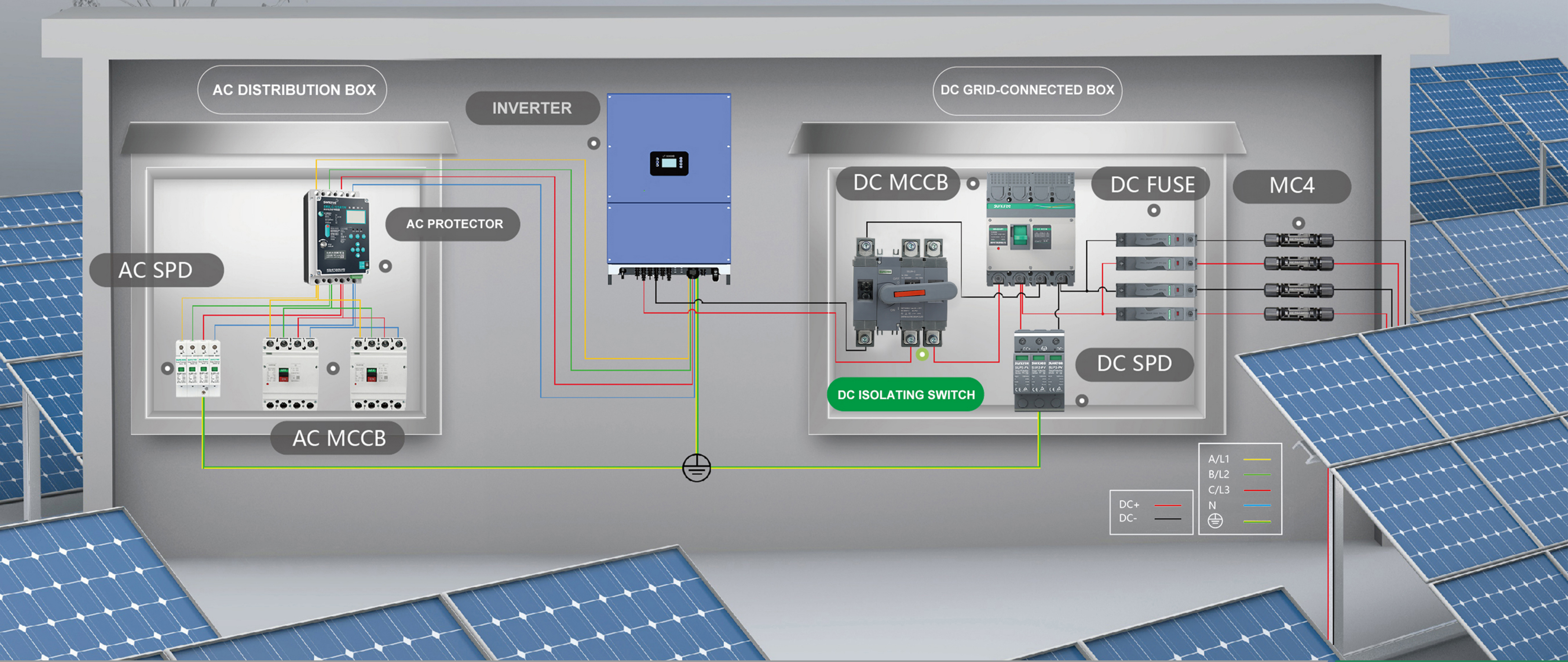


CONNECTION METHOD FOUR



CONNECTION METHOD FIVE





AC DISTRIBUTION BOX

INVERTER

DC GRID-CONNECTED BOX

AC SPD

AC PROTECTOR

DC MCCB

DC FUSE

MC4

AC MCCB

DC ISOLATING SWITCH

DC SPD

DC+	—	A/L1	—
DC-	—	B/L2	—
		C/L3	—
		N	—
		⊕	—



Inner box sticker

Item: SGL8N-2 Type: DC1500V
 In: 250A QTY: 2 PCS
 Date: 2021.08
 Suntree Electric Group Co., Ltd



Outer box sticker

Item: SGL8N-2
 Type : DC1500V
 In : 250 A
 QTY : 4PCS
 Date : 2021.06
 Contract.No: 35130
 Suntree Electric Group Co., Ltd



When the product is put into storage, the label on the box can conveniently count and identify the quantity, which is convenient to find and improving work efficiency.



suntree
human technology nature

// www.chinasuntree.com